

FEATURES & SPECIFICATIONS

INTENDED USE

For applications that require the clean appearance of a low-profile wraparound. Provides broad distribution of light for residential and light commercial applications. **If required for commercial application or operation more than eight (8) hours per day, consult factory for available options.**

CONSTRUCTION

Curved prismatic diffuser with linear side prisms minimize lamp image and provides high angle brightness control. Luminous end plates soften appearance for improved aesthetics.

Metal parts are die formed from code-gauge steel. Prismatic diffuser is 100% acrylic with sonically welded luminous ends. Continuous side flanges on fixture body provide light trap and continuous diffuser support to prevent accidental opening and simplify maintenance.

Requires (2) or (4) T8 straight tube fluorescent lamps (not included).

Standard with 120 volt, 60Hz electronic ballast ensures no flickering and quiet operation without interfering with other electronics.

Use with non-dimmable switches only.

All mounting hardware included.

LISTINGS

CUL listed to US and Canadian safety standards and suitable for damp locations. .

WARRANTY

2-year limited warranty. Complete warranty terms located at www.acuitybrands.com/CustomerResources/Terms_and_conditions.aspx

Actual performance may differ as a result of end-user environment and application.

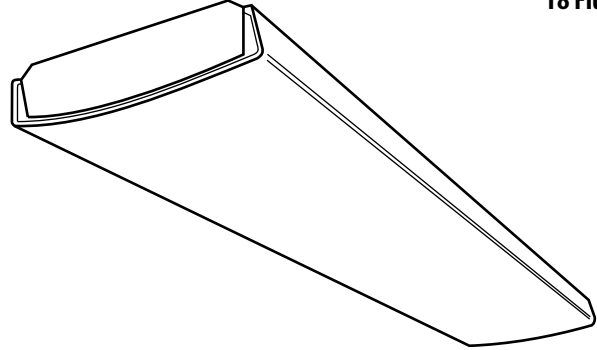
Note: Specifications subject to change without notice.

Catalog Number
Notes
Type

Indoor Decorative

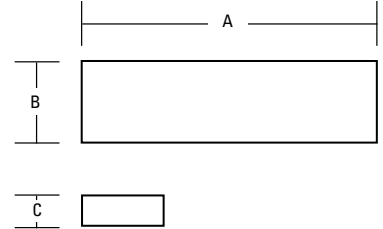
Traditional Wraparound

T8 Fluorescent



DIMENSIONS					
Nominal size	Model number	Number of lamps	(A) Length inches (cm)	(B) Width inches (cm)	(C) Height inches (cm)
1' x 2'	LB 2 17 120 RE	(2) 17WT8	24" (60.9)	10" (25.4)	3" (7.6)
1' x 4'	LB 2 32 120 RE	(2) 32WT8	48" (121.9)	10" (25.4)	3" (7.6)
1-1/2' x 2'	LB 4 17 120 1/4 RE	(4) 17WT8	24" (60.9)	15-3/8" (39)	3" (7.6)
1-1/2' x 4'	LB 4 32 120 1/4 RE	(4) 32WT8	48" (121.9)	15-3/8" (39)	3" (7.6)

All dimensions are inches (centimeters) unless otherwise indicated.



ORDERING INFORMATION

For shortest lead times, configure products using **bolded options**.

Example: LB 2 32 120 RE

LB				
Series	Lamps	Wattage	Ballast/voltage	Options
LB Traditional wrap	2 4 (not included)	17 17W 32 32W	120 RE 120 volt residential electronic ballast for 2 lamp fixtures 120 1/4 RE 120 volt residential electronic ballast for 4 lamp fixtures Other voltage and ballast types (Consult factory)	(Consult factory)

Traditional Wraparound T8 Fluorescent

PHOTOMETRICS

Full photometric data report available within 2 weeks from request. Consult factory.